

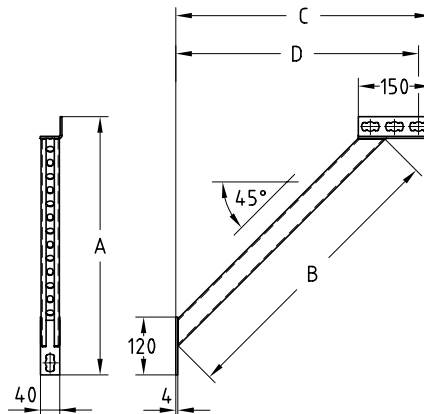
**MPR-Diagonal struts type S+**  
hot-dip galvanised

**Field of application**

- Supporting strut for reinforcement of corner joints in structures made of MPR-Support channels and MPR-Connection lock type S+
- For indoor and outdoor use
- Also suitable for lateral support of consoles, e.g. for use with fixed points

**Advantages**

- Easily connected with the MPR-Support channels due to installation with the MPR-Connection lock type S+
- Various lengths available for different on-site installation conditions



For support channels	Length [mm]	Part no.	Sales unit	Pack unit	Dimensions [mm]			
					A	B	C	D
41/21-41/124	440	165866	1	pieces	395	440	380	355
	900	165868			741	900	734	709

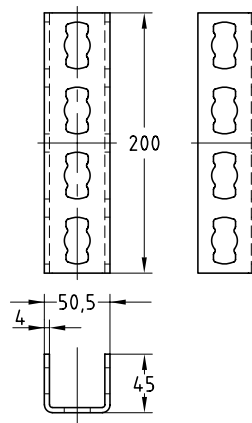
**MPR-Channel connector type S+**  
heavy-duty version, hot-dip galvanised

**Field of application**

- Fast butt-joining of MPR-Support channels and MPR-Connection lock type S+
- For indoor and outdoor use

**Advantages**

- Enables exact alignment of the channels
- Frictional connection via 4 connection locks type S+
- Easy handling thanks to installation with connection lock type S+



For support channels	Part no.	Sales unit	Pack unit
41/41-41/124	165897	1	pieces